

# FLEXCO® XP™ Staple Belt Fastening System

## Premium Quality Staple System

The Flexco® XP™ Staple Belt Fastening System combines an enhanced applicator tool with the longest wearing staple fastener and hinge pin on the market to produce a superior belt splice for tough mining environments.



# XP™

### *Extreme Performance Where It's Most Important:*

- A tool that can skip over misdrives without starting over
- One handle controls both advance and fastener installation
- Durable loop area provides up to 33% longer splice life

Patents [www.flexco.com/patents](http://www.flexco.com/patents)

[www.flexco.com](http://www.flexco.com)

**FLEXCO**

## FLEXCO® XP™ Staple Fastening System

### XP™ Fasteners and Hinge Pin

No matter what the belt condition, Flexco® XP™ fasteners are a good choice for both new and older, worn belts. XP staple fasteners can be used on belt thicknesses ranging from 6 to 20 mm (1/4" – 25/32") after skive with pulley diameters over 250 mm (10"). The fasteners are designed to be used with belt strengths up to 3500 kN/m and operating tensions of 2000 PIW. Available with steel and stainless fastener plates.



*The finished splice has a smooth, low profile for compatibility with belt cleaners and other conveyor components.*

*Cold rolled steel provides uniform mechanical properties and increased tensile strength of up to 50%.*



*The larger loop area accepts a bigger pin for extending splice life and makes hinge pin insertion easier.*



*Built-in belt stops help align fasteners to ensure accurate installation.*



*Sift Stop Foam Strip creates a sealed joint to prevent sifting.*



*Fastener Selection Gauge*

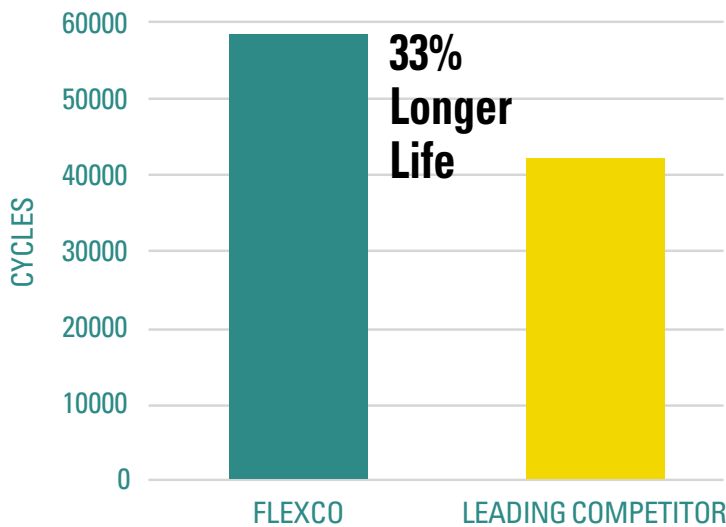
## FLEXCO® XP™ Staple Fastening System

### Why Staple Fasteners?

- Belt Strengths up to 3500 kN/m. Tension Rating up to 2000 PIW.
- Works well in harder belting such as solid woven PVC/PVG types
- Staples are preset in fastener
- Staple lengths handle a wide range of belt thicknesses.
- Can adjust compression on worn belt
- Applicator Tools: manual and powered

Benefits of XP™ vs. Competition				
Benefit	XP™	Competitor 1	Competitor 2	Competitor 3
<b>FASTENER</b>				
Durable Loop Area	Excellent	Better	Good	Fair
Accepts Larger Hinge Pin	Excellent	Better	Excellent	Better
Ease of Joining Belt Ends	Excellent	Better	Better	Better
Life Expectancy	Excellent	Better	Better	Good
Cleaner Compatibility	Better	Better	Fair	Better
<b>APPLICATOR TOOL</b>				
Reliable/Consistent	Excellent	Better	Better	Good
Can Skip Misdrives	Yes	No	No	No
Start Anywhere on Belt End	Yes	No	No	No
Single Action Lever	Yes	No	Yes	No
Feedback in Handle	Yes	No	No	No

### 35° TROUGHD BELT DYNAMIC TEST



Internal test parameters: 5 m/s (1000 FPM) , 140 kN/m (800 PIW) , 760 mm (30") Wide PVC Belt, XP5SC-L Stainless Fastener, XAC5 Armored Cable Pin, Competitor Stainless Fastener and Armored Cable Pin

## Hinge Pins

A wide selection makes it easy to match pins to the needs of the application. Use the brief descriptions and the images below to identify which hinge pin is the right choice for your XP™ application.

### Hinge Pin Material Selection

#### XAC – Bare Armored Cable:

Heavy-duty, long-wearing pin popular in underground mining applications. Armor wrapping protects interior wires.

#### XACS – Bare Armored Stainless Steel

**Cable:** The same advantages as bare armored cable plus corrosion resistance.

#### XNAC – Nylon Covered Armored Cable:

Combines a durable armored steel wrap with a nylon covering for smooth operation and long service life. Nylon covering prevents pin migration. Not recommended in wet, abrasive applications.



### Hinge Pin Retaining Collars

Prevent “pin migration.” These utilize knurled point screws and self-locking nylon patches to hold hinge pin in place.



Hinge Pin Retaining Collar



## FLEXCO® XP™ Staple Fastening System

The XP™ Applicator Tools are easy to set up, operate, and transport. Unlike similar designs, the XP™ sets one fastener at a time so misdrives and tool jams are infrequent. And, should an occasional misdrive occur, the design allows the operator to skip over it and continue with the splice.

### XP™ Manual Applicator Tool



*Oversized handle design allows users to choose multiple hand positions based on work site conditions*



*The manual applicator mounts quickly to the frame and is easily positioned for splicing.*

*Quick adjust handle allows users to optimize handle length for reduced effort and increased mobility*



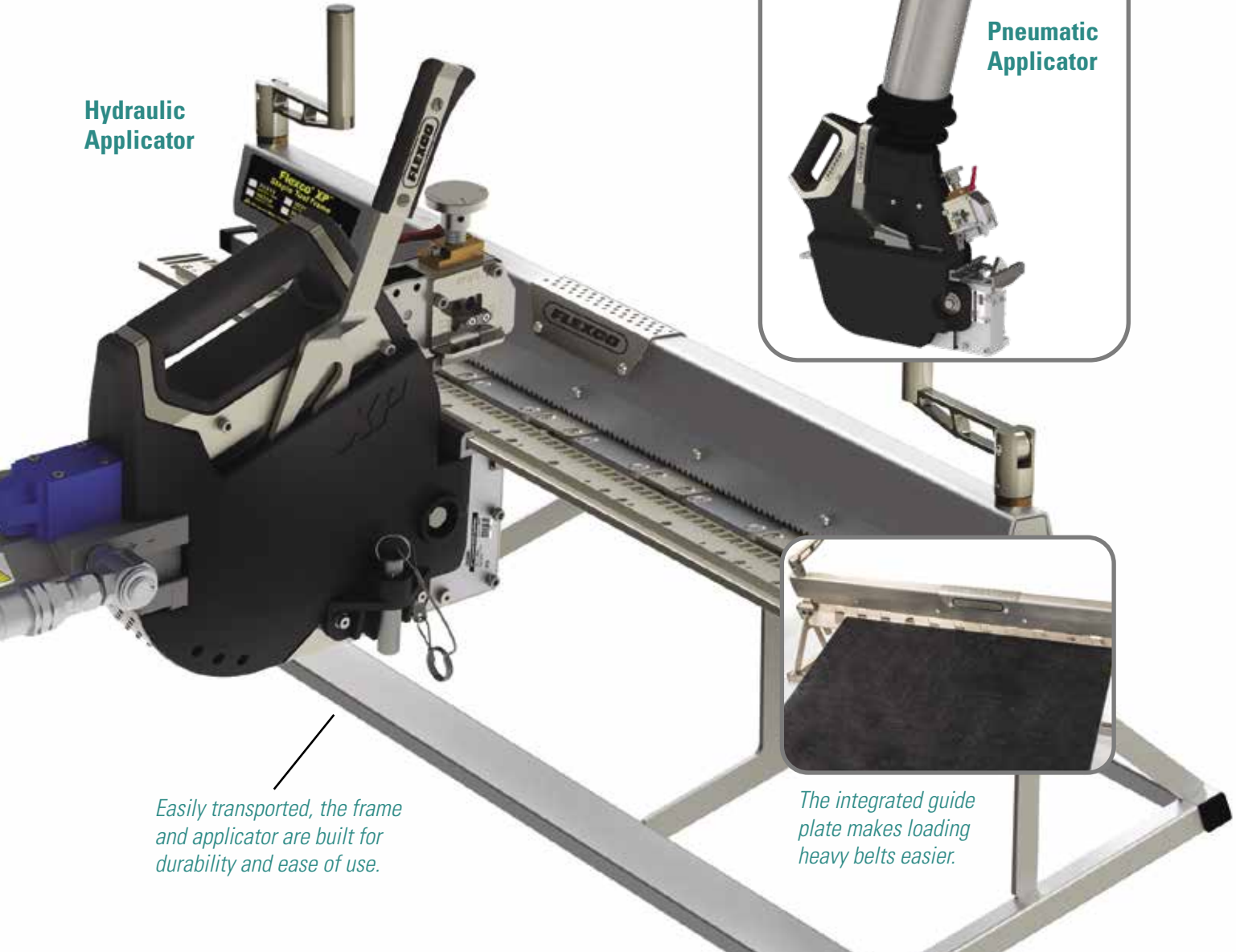
*Intuitive handle lock secures handle in position when not in use*

## FLEXCO® XP™ Staple Fastening System

The XP™ Power Applicator Tools have a sealed housing that is easy to maintain. They mount quickly to the frame and are easily positioned for splicing. One smooth motion of the lever compresses the plate, then drives and folds the staples for the same consistent staple set and finished splice profile each and every time.

### XP™ Power Applicator Tools

**Hydraulic  
Applicator**



*Easily transported, the frame and applicator are built for durability and ease of use.*

**Pneumatic  
Applicator**



*The integrated guide plate makes loading heavy belts easier.*



*Use belt sample to set applicator tool.*

*XP-LOK™ helps prevent belt ripple so splices roll smoothly over pulleys and under scrapers. XP-LOK also helps ensure even belt tension and uniform wear across splice.*



**FLEXCO**

# FLEXCO® XP™ Staple Fastening System

Combine fasteners, hinge pin, applicator, and tool frame to complete the system.  
Use the selection charts below to choose the combination that is right for your operation.

**Flexco® XP Staple Belt Fastener Selection Chart**

Fastener Size	Belt Strength up to	Tension Rating up to	Belt Thickness After Skive		Recommended Min. Pulley Diameter		Max. Hinge Pin Diameter	
	kN/m	PIW	mm	in.	mm	in.	mm	in.
XP3	1400	800	6-9	1/4 – 11/32	250	10	5.5	7/32
XP3-L	1400	800	8-11	5/16 – 7/16	250	10	5.5	7/32
XP5	2000	1150	9-12	11/32 – 15/32	350	14	8.1	5/16
XP5-L	2000	1150	11-14	7/16 – 9/16	350	14	8.1	5/16
XP7	3500	2000	13-16	1/2 – 5/8	500	20	10.3	13/32
XP8	3500	2000	15-18	19/32 – 23/32	500	20	11.0	7/16
XP8-L	3500	2000	17-20	21/32 – 25/32	500	20	11.0	7/16

## FASTENERS

Each Flexco® XP™ Staple package contains enough fastener strips to complete a single splice.  
Hinge pins are ordered separately.

**XP3 Fastener System Ordering Information**

Belt Width		Ordering Number	Item Code	Ordering Number	Item Code	Weight	
mm	in.	Steel Plates		Stainless Plates		kgs.	lbs.
<b>Fastener Size XP3 with Standard Length Steel Staples</b>							
1000	40	XP3CC-1000	37720	XP3SC-1000	37732	3.5	7.8
1050	42	XP3CC-1050	37721	XP3SC-1050	37733	3.8	8.5
1200	48	XP3CC-1200	37722	XP3SC-1200	37734	4.2	9.2
1400	56	XP3CC-1400	37723	XP3SC-1400	37735	4.8	10.7
1600	64	XP3CC-1600	37724	XP3SC-1600	37736	5.5	12.1
1800	72	XP3CC-1800	37725	XP3SC-1800	37737	6.1	13.6
<b>Fastener Size XP3-L with Long Length Steel Staples</b>							
1000	40	XP3CC-L-1000	37726	XP3SC-L-1000	37738	3.5	7.8
1050	42	XP3CC-L-1050	37727	XP3SC-L-1050	37739	3.9	8.6
1200	48	XP3CC-L-1200	37728	XP3SC-L-1200	37740	4.2	9.3
1400	56	XP3CC-L-1400	37729	XP3SC-L-1400	37741	4.9	10.7
1600	64	XP3CC-L-1600	37730	XP3SC-L-1600	37742	5.5	12.2
1800	72	XP3CC-L-1800	37731	XP3SC-L-1800	37743	6.2	13.7

**XP5 Fastener System Ordering Information**

Belt Width		Ordering Number	Item Code	Ordering Number	Item Code	Weight	
mm	in.	Steel Plates		Stainless Plates		kgs.	lbs.
<b>Fastener Size XP5 with Standard Length Steel Staples</b>							
1000	40	XP5CC-1000	37600	XP5SC-1000	37605	4.1	9.0
1050	42	XP5CC-1050	37172	XP5SC-1050	37173	4.3	9.5
1200	48	XP5CC-1200	37601	XP5SC-1200	37606	4.5	10.0
1400	56	XP5CC-1400	37602	XP5SC-1400	37607	5.0	11.0
1600	64	XP5CC-1600	37603	XP5SC-1600	37608	5.4	12.0
1800	72	XP5CC-1800	37604	XP5SC-1800	37609	5.9	13.0
<b>Fastener Size XP5-L with Long Length Steel Staples</b>							
1000	40	XP5CC-L-1000	37615	XP5SC-L-1000	37620	4.1	9.1
1050	42	XP5CC-L-1050	37174	XP5SC-L-1050	37175	4.4	9.6
1200	48	XP5CC-L-1200	37616	XP5SC-L-1200	37621	4.6	10.1
1400	56	XP5CC-L-1400	37617	XP5SC-L-1400	37622	5.0	11.1
1600	64	XP5CC-L-1600	37618	XP5SC-L-1600	37623	5.5	12.1
1800	72	XP5CC-L-1800	37619	XP5SC-L-1800	37624	5.9	13.1

**XP7 Fastener System Ordering Information**

Belt Width		Ordering Number	Item Code	Ordering Number	Item Code	Weight	
mm	in.	Steel Plates		Stainless Plates		kgs.	lbs.
<b>Fastener Size XP7 with Steel Staples</b>							
1000	40	XP7CC-1000	37660	XP7SC-1000	37665	4.8	10.6
1050	42	XP7CC-1050	37176	XP7SC-1050	37177	5.3	11.6
1200	48	XP7CC-1200	37661	XP7SC-1200	37666	5.7	12.6
1400	56	XP7CC-1400	37662	XP7SC-1400	37667	6.7	14.8
1600	64	XP7CC-1600	37663	XP7SC-1600	37668	7.6	16.8
1800	72	XP7CC-1800	37664	XP7SC-1800	37669	8.5	18.8

# FLEXCO® XP™ Staple Fastening System

## XP8 Fastener System Ordering Information

Belt Width		Ordering Number	Item Code	Ordering Number	Item Code	Weight	
mm	in.	Steel Plates		Stainless Plates		kgs.	lbs.
<b>Fastener Size XP8 with Standard Length Steel Staples</b>							
1000	40	XP8CC-1000	37884	XP8SC-1000	37889	5.1	11.2
1200	48	XP8CC-1200	37885	XP8SC-1200	37890	6.1	13.4
1400	56	XP8CC-1400	37886	XP8SC-1400	37891	7.0	15.5
1600	64	XP8CC-1600	37887	XP8SC-1600	37892	8.0	17.6
1800	72	XP8CC-1800	37888	XP8SC-1800	37893	9.0	19.8
<b>Fastener Size XP8-L with Long Length Steel Staples</b>							
1000	40	XP8CC-L-1000	37894	XP8SC-L-1000	37899	5.1	11.3
1200	48	XP8CC-L-1200	37895	XP8SC-L-1200	37900	6.1	13.5
1400	56	XP8CC-L-1400	37896	XP8SC-L-1400	37901	7.1	15.6
1600	64	XP8CC-L-1600	37897	XP8SC-L-1600	37902	8.1	17.8
1800	72	XP8CC-L-1800	37898	XP8SC-L-1800	37903	9.1	20.0



Single Blade Belt Skiver skives belts up to 50 mm (2") thick. Maximum skive per pass is 10 mm (3/8").



Belt Thickness Gauge measures belt thickness to set applicator tool.



## INSTALLATION TOOLS

### Tool Applicator and Frame Ordering Information

Belt Width		Ordering Number	Item Code	Weight	
mm	in.			kgs.	lbs.
<b>Applicator Tools and Accessories</b>					
Manual Applicator		XPMST	30114	23.8	52.5
Hydraulic Applicator		XPST	30113	26.0	57.0
Pneumatic Applicator		XPPST	30141	28.0	62.0
Fastener Selection Gauge		XPFSG	30038	0.1	0.2
Belt Thickness Gauge		XPBTG	30363	0.2	0.3
<b>Tool Frame</b>					
1000	42	XPSTF2-1000	30312	35.1	77.3
1200	48	XPSTF2-1200	30313	40.1	88.5
1400	56	XPSTF2-1400	30314	45.8	100.9
1600	64	XPSTF2-1600	30316	51.8	114.3
1800	72	XPSTF2-1800	30317	57.7	127.2
<b>Belt Skiver</b>					
Single Blade Belt Skiver		XPSK-SB	32072	6.0	13.2
XP Skiver Blade		XPSK-1UB	32074	0.1	0.3
Belt Stops XP3 & XP5 (six per kit)		XPSK-35S	32087	0.2	0.6
Belt Stops XP7 & XP8 (six per kit)		XPSK-78S	32088	0.2	0.6
<b>Sift Stop Foam Strip (creates a sealed joint to prevent sifting)</b>					
Sift Stop Foam Strip (12.2 M/40 ft.)		XPSS-40	37179	0.1	0.2
<b>XP-LOK™ (to prevent belt wave and ripple on rubber plied belting)</b>					
XP-LOK™ Tensioner		XPLT2	30323	0.7	1.5
XP-LOK™ Belt Wire (36.5 M/120 ft.)		XPLW-120	30106	0.5	1.2
<b>Hydraulic Power Pack Ordering Information</b>					
Contact your local Flexco distributor for regional specific power pack needs.					

## HINGE PINS

### XP3 Hinge Pin Ordering Information

Belt Width	Ordering Number	Item Code	Ordering Number	Item Code	Each Weight		Package Weight	
in.	Each (One Pin)		Package (Ten Pins)		kgs.	lbs.	kgs.	lbs.
<b>Bare Armored Steel Cable (5.5 mm dia.)</b>								
42	XAC3-42-1	38442	XAC3-42	38493	0.2	0.4	2.0	4.4
48	XAC3-48-1	38443	XAC3-48	38494	0.2	0.5	2.3	5.0
54	XAC3-54-1	38444	XAC3-54	38495	0.3	0.6	2.7	5.8
60	XAC3-60-1	37914	XAC3-60	37930	0.3	0.6	2.8	6.3
72	XAC3-72-1	37917	XAC3-72	37933	0.3	0.8	3.4	7.5
<b>Bare Armored Stainless Cable (5.5 mm dia.)</b>								
42	XAC3-42-1	38448	XAC3-42	38499	0.2	0.4	2.0	4.4
48	XAC3-48-1	38449	XAC3-48	38500	0.2	0.5	2.3	5.0
54	XAC3-54-1	38450	XAC3-54	38501	0.3	0.6	2.7	5.8
60	XAC3-60-1	37922	XAC3-60	37938	0.3	0.6	2.8	6.3
72	XAC3-72-1	37925	XAC3-72	37941	0.3	0.8	3.4	7.5





# FLEXCO® XP™ Staple Fastening System

## HINGE PINS

### XP5 Hinge Pin Ordering Information

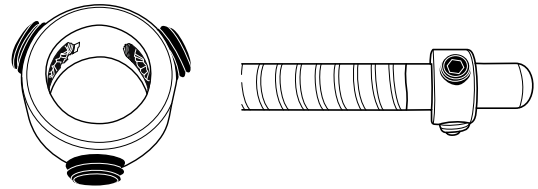
Belt Width	Ordering Number	Item Code	Ordering Number	Item Code	Each Weight		Package Weight	
in.	Each (One Pin)		Package (Ten Pins)		kgs.	lbs.	kgs.	lbs.
<b>Bare Armored Steel Cable (8.1 mm dia.)</b>								
42	XAC5-42-1	38453	XAC5-42	38504	0.5	1.1	4.8	10.5
48	XAC5-48-1	38454	XAC5-48	38505	0.5	1.2	5.4	12.0
54	XAC5-54-1	38455	XAC5-54	38506	0.6	1.4	6.4	14.0
60	XAC5-60-1	38456	XAC5-60	38507	0.7	1.5	6.8	15.0
72	XAC5-72-1	38457	XAC5-72	38508	0.8	1.8	8.2	18.0
<b>Bare Armored Stainless Cable (8.1 mm dia.)</b>								
42	XACS5-42-1	38460	XACS5-42	38519	0.5	1.1	4.8	10.5
48	XACS5-48-1	38461	XACS5-48	38524	0.5	1.2	5.4	12.0
54	XACS5-54-1	38462	XACS5-54	38525	0.6	1.4	6.4	14.0
60	XACS5-60-1	38463	XACS5-60	38526	0.7	1.5	6.8	15.0
72	XACS5-72-1	38464	XACS5-72	38527	0.8	1.8	8.2	18.0
<b>Nylon Cover Armored Cable (8.1 mm dia.)</b>								
42	XNAC5-42-1	38467	XNAC5-42	38537	0.5	1.1	4.8	10.5
48	XNAC5-48-1	38468	XNAC5-48	38538	0.5	1.2	5.4	12.0
54	XNAC5-54-1	38469	XNAC5-54	38539	0.6	1.4	6.4	14.0
60	XNAC5-60-1	38470	XNAC5-60	38540	0.7	1.5	6.8	15.0
72	XNAC5-72-1	38471	XNAC5-72	38541	0.8	1.8	8.2	18.0

### XP7/XP8 Hinge Pin Ordering Information

Belt Width	Ordering Number	Item Code	Ordering Number	Item Code	Each Weight		Package Weight	
in.	Each (One Pin)		Package (Ten Pins)		kgs.	lbs.	kgs.	lbs.
<b>Bare Armored Steel Cable (9.5 mm dia.)</b>								
42	XAC7-42-1	38474	XAC7-42	38546	0.5	1.2	5.6	12.4
48	XAC7-48-1	38475	XAC7-48	38547	0.6	1.3	6.1	13.4
54	XAC7-54-1	37451	XAC7-54	37457	0.7	1.5	7.2	15.8
60	XAC7-60-1	37433	XAC7-60	37435	0.7	1.6	7.6	16.7
72	XAC7-72-1	38476	XAC7-72	38549	1.0	2.1	9.5	20.9
<b>Bare Armored Stainless Cable (9.5 mm dia.)</b>								
42	XACS7-42-1	38479	XACS7-42	38556	0.5	1.2	5.6	12.4
48	XACS7-48-1	38480	XACS7-48	38557	0.6	1.3	6.1	13.4
54	XACS7-54-1	38481	XACS7-54	38558	0.7	1.5	7.2	15.8
60	XACS7-60-1	37434	XACS7-60	37436	0.7	1.6	7.6	16.7
72	XACS7-72-1	38482	XACS7-72	38560	1.0	2.1	9.5	20.9
<b>Nylon Covered Armored Cable (10.3 mm dia.)</b>								
42	XNAC7-42-1	38485	XNAC7-42	38563	0.5	1.2	5.6	12.4
48	XNAC7-48-1	38486	XNAC7-48	38564	0.6	1.3	6.1	13.4
54	XNAC7-54-1	38487	XNAC7-54	38565	0.7	1.5	7.2	15.8
60	XNAC7-60-1	38488	XNAC7-60	38566	0.7	1.6	7.6	16.7
72	XNAC7-72-1	38489	XNAC7-72	38578	1.0	2.1	9.5	20.9

### Hinge Pin Retaining Collar (2 per package)

For Fastener	For Pin Diameter		Ordering Number	Item Code	Weight	
	mm	in.			kgs.	lbs.
XP3	5.5-7.1	7/32-9/32	HPRET1	40198	0.1	0.2
XP5-XP8	8.1-10.7	5/16-27/64	HPRET2	40199	0.1	0.2



Authorized Distributor:

2525 Wisconsin Avenue • Downers Grove, IL 60515-4200 • USA  
Tel: (630) 971-0150 • Fax: (630) 971-1180 • E-mail: info@flexco.com

Visit [www.flexco.com](http://www.flexco.com) for other Flexco locations and products.

©2021 Flexible Steel Lacing Company. 07-02-21. For Reorder: X6138

